



# Transfer Printer BP-PR PLUS series

**Spare Parts List**  
Edition 7/06

Information on the scope of delivery, appearance, performance, dimensions and weight reflect our knowledge at the time of printing. We reserve the right to make modifications.

All rights, including those regarding the translation, are reserved.



**W.H. Brady**  
Lindestraat 21  
Industriepark C3  
9240 Zele Belgium  
Tel.: +32 52 457 811  
e-mail: [support@brady.be](mailto:support@brady.be)



**Identification Solutions Division**  
6555 W. Good Hope Road  
PO Box 2131  
Milwaukee, WI 53201 U.S.A.  
Phone: 1-800-537-8791 Fax: 1-800-292-2289

## References for Spare Parts Ordering

1. Please address spare parts orders to:

**W.H. Brady**  
**Lindestraat 21**  
**Industriepark C3**  
**9240 Zele Belgium**  
**Tel.: +32 52 457 811**  
**e-mail: support@brady.be**

2. Orders will be accepted in writing only. They must contain the following information:

- customers name and address
- customers number (if known)
- serial number of the device
- part number
- name of item

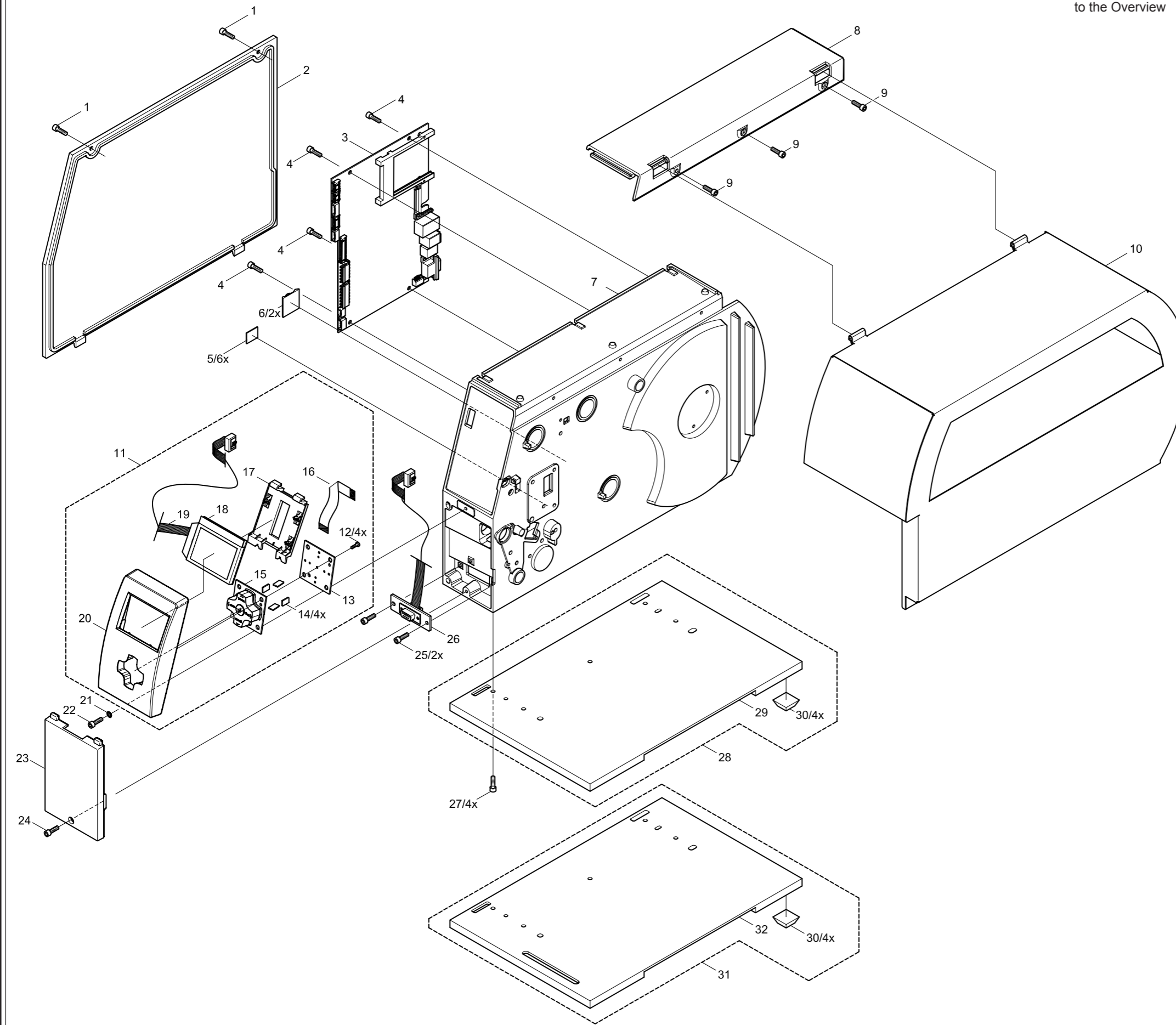


**Make sure to update your stock of spare parts regularly.**

## Overview of the Spare Parts Drawings

Page	Assembly	Serial-No.	BP-PR	
			200PLUS 300PLUS 600PLUS	200PLUS-P 300PLUS-P 600PLUS-P
BP-PR-2.0	Chassis, Control Panel	all	x	x
BP-PR-3.0	Power Supply	all	x	x
BP-PR-4.0	Printhead Carriage Printhead Locking System	all	x	x
BP-PR-5.0	Print Roller Assembly	all	x	-
BP-PR-5a.0	Print Roller Assembly	all	-	x
BP-PR-6.0	Gear, Media Hub	all	x	-
BP-PR-6a.0	Gear, Media Hub	all	-	x
BP-PR-7.0	Transfer Ribbon Hubs	all	x	x
BP-PR-8.0	Internal Rewinder	all	-	x

to the Overview



BP-PR200PLUS	BP-PR300PLUS	BP-PR600PLUS
BP-PR200PLUS-P	BP-PR300PLUS-P	BP-PR600PLUS-P

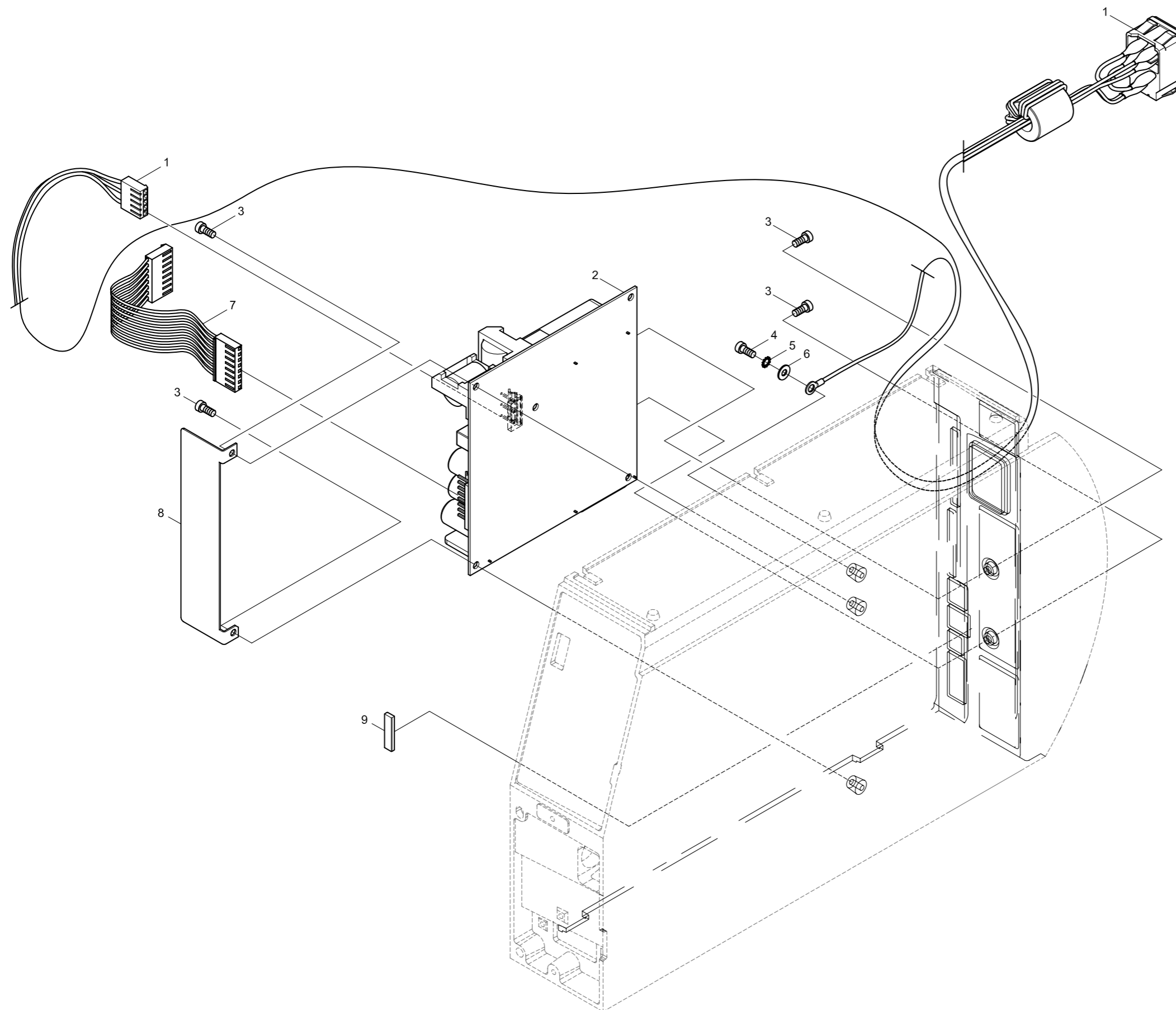
No.	Part-No.	Description	Pos.
1	5902241.001	Screw DIN7984-M4x10-8.8-galZn	2
2	5946123.001	Cover Plate, complete	1
3	5551113.001	PCB CPU	1
4	5902571.001	Screw DIN7984-M4x6 Torx galZn	4
5	5901509.001	Cable Clamp 6x11x5	6
6	5901574.001	Cable Clamp for Ø 9,6 adhesive	2
7	5954002.001	Chassis complete	1 1)
7	5954003.001	Chassis complete.	1 2)
8	5946124.001	Top Cover, complete	1
9	5902565.001	Screw DIN7984-M4x10 Torx galZn	3
10	5954750.001	Metal Cover THT-BP-4	1
11	5954020.001	Control Panel Cover	1 A)
12	5902414.001	Screw 30x12 WN1451 galZn	4
13	5955034.001	PCB M3 Control Panel	1
14	5540691.001	Blind	4
15	5540674.001	Navigator Pad	1
16	5954027.001	Control Panel Cable	1
17	5954026.001	Holder	1
18	5540868.001	LCD-Display	1
19	5954097.001	Front Panel Cable	1
20	5954025.001	Control Panel Cover	1
21	5903011.001	Toothed Washer DIN6797-A4.3-galZn	1
22	5902565.001	Screw DIN7984-M4x10 Torx galZn	1
23	5943004.001	Front Cover	1 1)
24	5902241.001	Screw DIN7984-M4x10-8.8-galZn	1 1)
25	5902571.001	Screw DIN7984-M4x6 Torx galZn	2
26	5954095.001	Cable Accessory	1
27	5902565.001	Screw DIN7984-M4x10 Torx galZn	4
28	5943083.001	Baseplate, complete	1 A) 1)
29	5943082.001	Baseplate	1 1)
30	5905652.001	Foot 20.6x20.6x7.6 ws	4
31	5946466.001	Baseplate, complete	1 A) 2)
32	5946465.001	Baseplate	1 2)

- 1) BP-PR200PLUS, BP-PR300PLUS, BP-PR600PLUS
- 2) BP-PR200PLUS-P, BP-PR300PLUS-P, BP-PR600PLUS-P
- A) Assembly

to the Overview

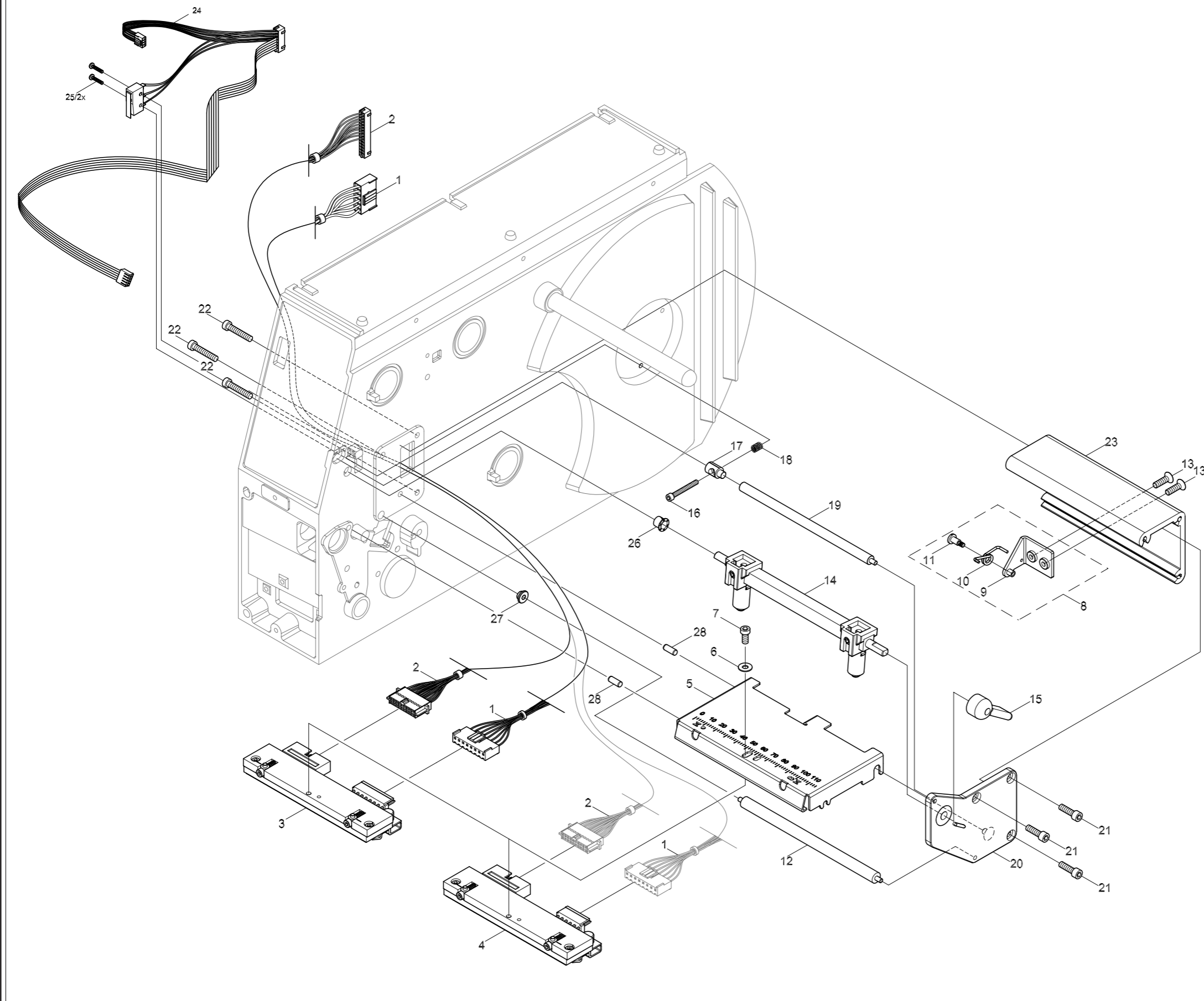
<b>BP-PR200PLUS</b>	<b>BP-PR300PLUS</b>	<b>BP-PR600PLUS</b>
<b>BP-PR200PLUS-P</b>	<b>BP-PR300PLUS-P</b>	<b>BP-PR600PLUS-P</b>

No.	Part-No.	Description	Pos.
1	5955046.001	Power Input Module	1
2	5946550.001	Power Supply	1
3	5902571.001	Screw DIN7984-M4x6 Torx galZn	4
4	5902571.001	Screw DIN7984-M4x6 Torx galZn	1
5	5903011.001	Toothed Washer DIN6797-A4.3-galZn	1
6	5903003.001	Washer DIN125-A4.3-galZn	1
7	5943107.001	Cable A3	1
8	5954179.001	Cover Plate	1
9	5954132.001	Strip 7x2	1



to the Overview

BP-PR200PLUS	BP-PR300PLUS	BP-PR600PLUS
BP-PR200PLUS-P	BP-PR300PLUS-P	BP-PR600PLUS-P

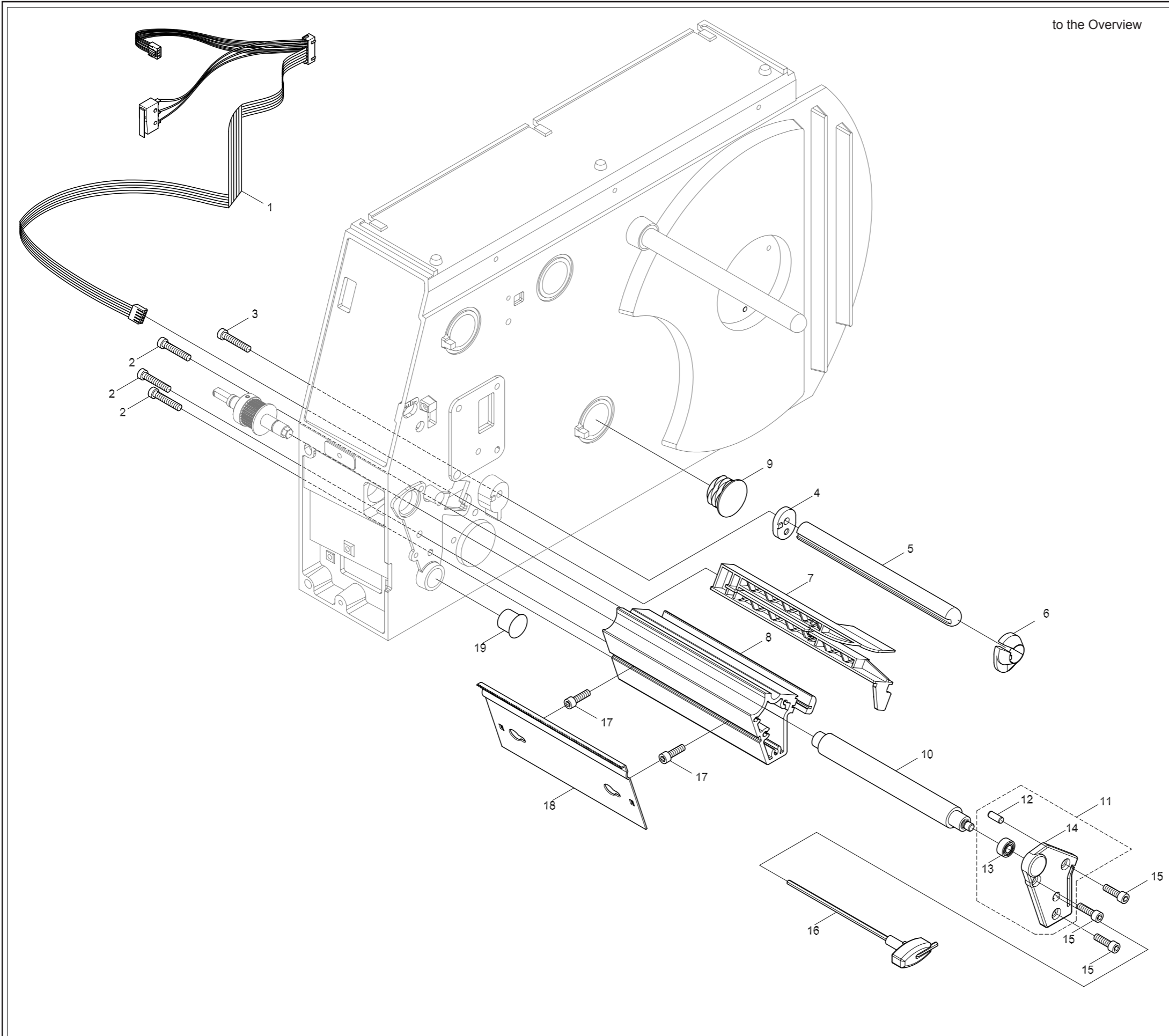


No.	Part-No.	Description	Pos.
1	5954066.001	Printhead Cable 1	1
2	5954067.001	Printhead Cable 2	1
3	5954081.001	Printhead 4/203	1 3)
3	5954072.001	Printhead 4/300	1 4)
4	5954077.001	Printhead 4/600	1 5)
5	5954054.001	Printhead Mounting Bracket	1
6	5903003.001	Washer DIN125-A4.3-galZn	1
7	5902358.001	Screw DIN7984-M4x6-8.8-galZn	1
8	5954064.001	L-Bracket	1 A)
9	5954063.001	L-Bracket, complete	1
10	5954057.001	Spring	1
11	5902145.001	Screw DIN 923 M3x6-5.8	1
12	5954044.001	Roller	1
13	5902573.001	Flush Screw DIN7991-M4x10 Torx galZn	2
14	5954070.001	Printhead Locking System	1
15	5954059.001	Lever	1
16	5902011.001	Screw DIN912-M3x20-galZn	1
17	5954060.001	Plate, Pivot Arm Transfer	1
18	5906136.001	Spring D-117D	1
19	5954061.001	Roller Ribbon	1
20	5954049.001	Upper Side Plate	1
21	5902565.001	Screw DIN7984-M4x10 Torx galZn	3
22	5902572.001	Screw DIN7984-M4x16 Torx galZn	3
23	5954047.001	Upper Profile	1
24	5954098.001	Sensor Cable	1
25	5902457.001	Screw DIN7985-M2x10-8.8-galZn	2
26	5901060.001	Plastic Bushing d=6; B=6,6	1
27	5901118.001	Collar Bush	1
28	5904028.001	Pin DIN6325 4m6x10	2

- 3) BP-PR/200, BP-PR/200P
- 4) BP-PR/300, BP-PR/300P
- 5) BP-PR/600, BP-PR/600P
- A) Assembly

to the Overview

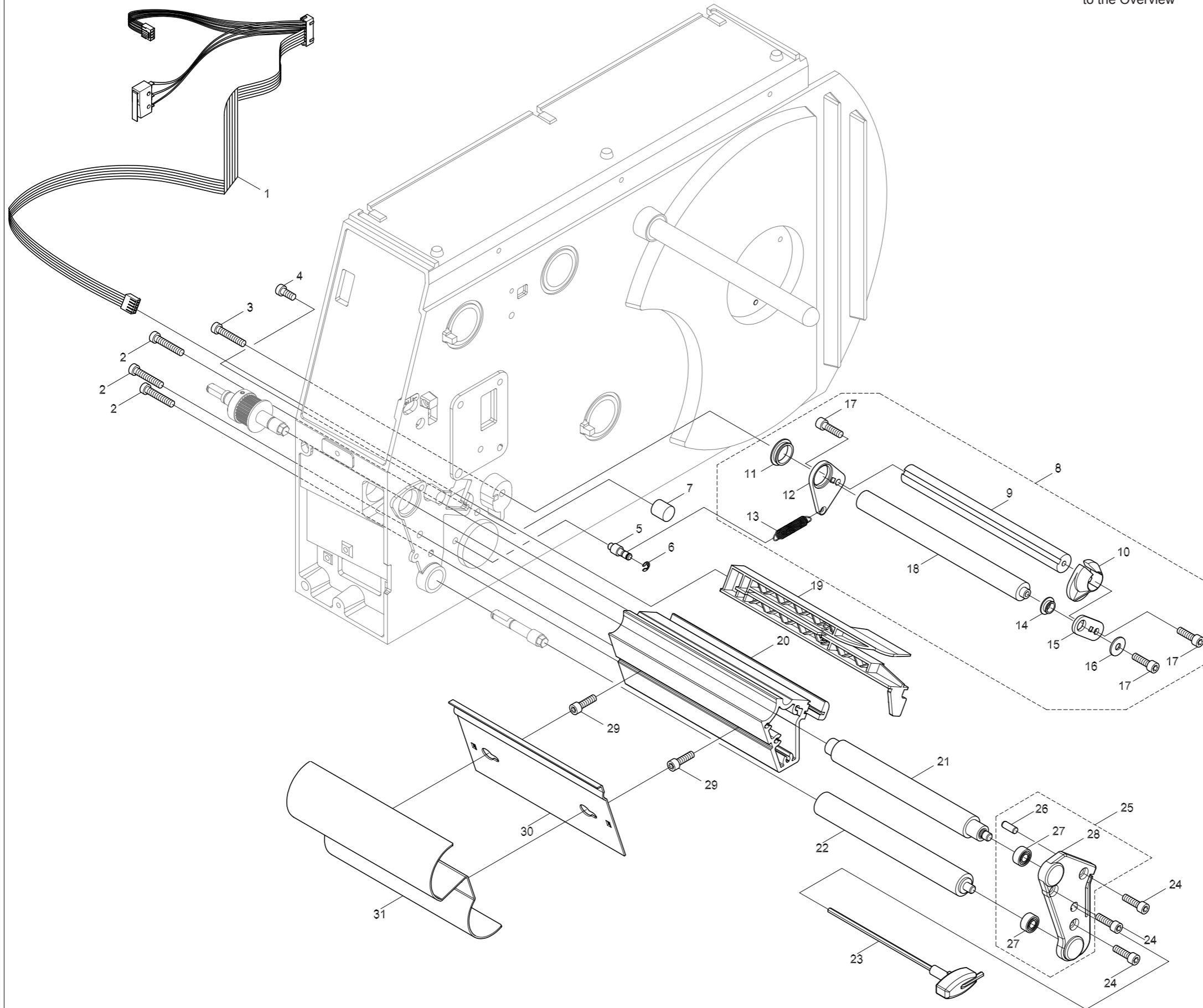
BP-PR200PLUS	BP-PR300PLUS	BP-PR600PLUS
<del>BP-PR200PLUS-P</del>	<del>BP-PR300PLUS-P</del>	<del>BP-PR600PLUS-P</del>



No.	Part-No.	Description	Pos.
1	5954098.001	Sensor Cable	1
2	5902572.001	Screw DIN7984-M4x16 Torx galZn	3
3	5902572.001	Screw DIN7984-M4x16 Torx galZn	1
4	5946745.001	Distance Plate	1 1)
5	5943125.001	Axle	1
6	5943025.001	Media Guide Ring	1
7	5954090.001	Label Sensor Assy.	1
8	5954051.001	Lower Profile	1
9	5905699.001	Stopper SL25x1-2.5 black	1 1)
10	5954180.001	Drive Roller DR4	1
11	5954186.001	Lower Sider Plate U3, complete	1 A) 1)
12	5904028.001	Pin DIN6325 4m6x10	1
13	5901082.001	Ball Bearing DIN625-685-ZZ	1
14	5954050.001	Lagerplatine U3	1 1)
15	5902241.001	Screw DIN7984-M4x10-8.8-galZn	3
16	5946113.001	Allen Key	1
17	5902241.001	Screw DIN7984-M4x10-8.8-galZn	2
18	5946244.001	Tear-off Plate TP4	1 1)
19	5905866.001	Stopper SRL16x0.8-2 black	1 1)

1) BP-PR200PLUS, BP-PR300PLUS, BP-PR600PLUS  
A) Assembly

to the Overview



<del>BP-PR200PLUS</del>	<del>BP-PR300PLUS</del>	<del>BP-PR600PLUS</del>
BP-PR200PLUS-P	BP-PR300PLUS-P	BP-PR600PLUS-P

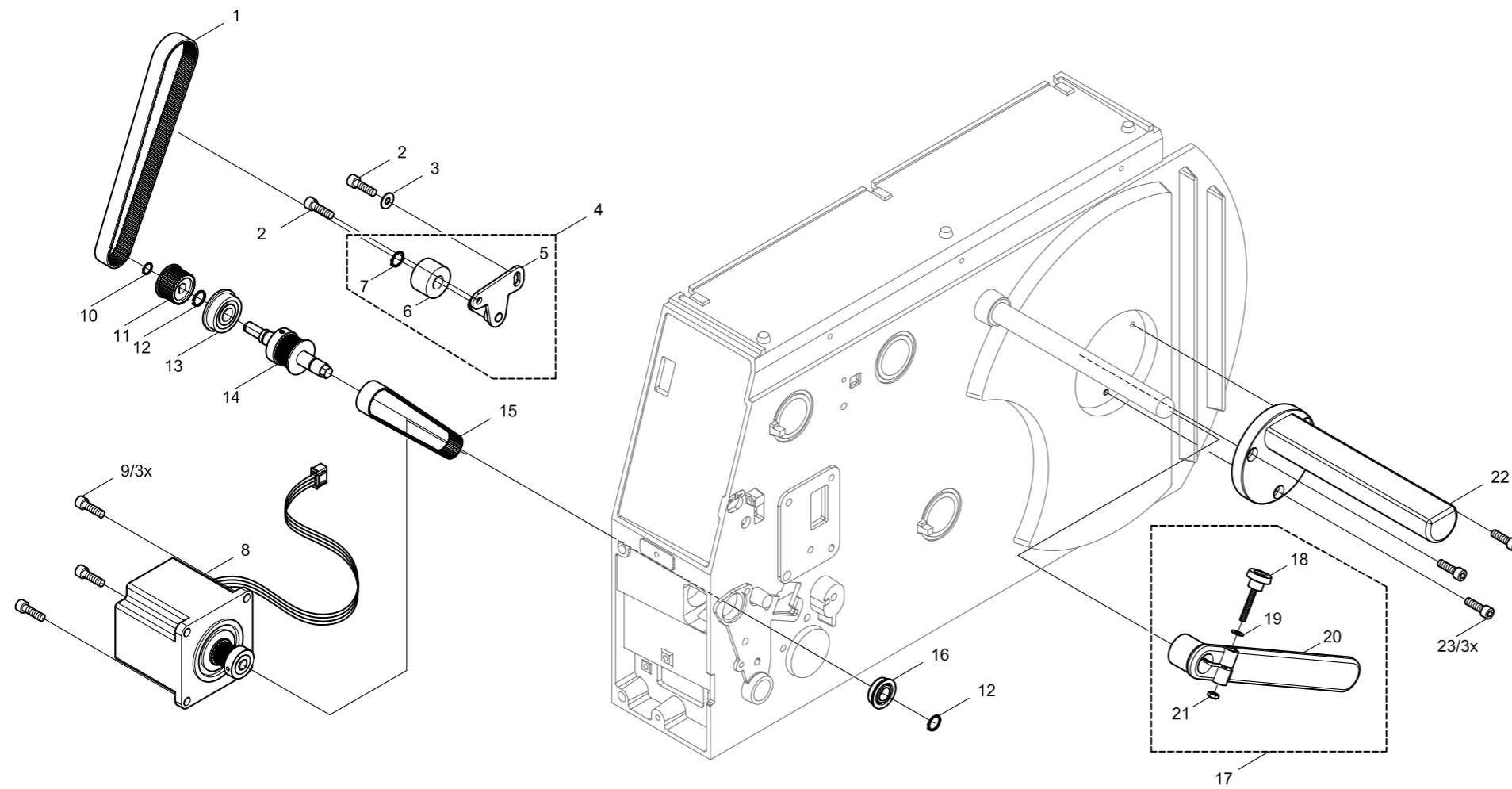
No.	Part-No.	Description	Pos.
1	5954098.001		1
2	5902572.001	Screw DIN7984-M4x16 Torx galZn	3
3	5902572.001	Screw DIN7984-M4x16 Torx galZn	1
4	5902571.001	Screw DIN7984-M4x6 Torx galZn	1
5	5946572.001	Spring Bolt	1 2)
6	5903507.001	E-Ring DIN6799-3.2-galZn	1 2)
7	5905885.001	Stopper M4x10 D=10 h=10 TypE	1 2)
8	5946580.001	Swing	1 A) 2)
9	5946574.001	Axle	1
10	5943025.001	Media Guide Ring	1
11	5901026.001	Plastic Bushing d=12; B=3,6	1 2)
12	5946570.001	Bearing Plate 1	1 2)
13	5906112.001	Zugfeder Z-051 HX	1 2)
14	5901036.001	Plastic Bushing d=6 B=3,2	1 2)
15	5946571.001	Bearing Plate 2	1 2)
16	5903005.001	Washer DIN9021-4.3-galZn	1 2)
17	5902565.001	Screw DIN7984-M4x10 Torx galZn	3 2)
18	5946573.001	Axle	1
19	5954090.001	Label Sensor Assy.	1
20	5954051.001	Lower Profile	1
21	5954180.001	Drive Roller DR4	1
22	5954183.001	Roller RR4	1
23	5946113.001	Allen Key	1
24	5902241.001	Screw DIN7984-M4x10-8.8-galZn	3
25	5954187.001	Lower Side Plate U6, complete	1 A) 2)
26	5904028.001	Pin DIN6325 4m6x10	1
27	5901082.001	Ball Bearing DIN625-685-ZZ	2
28	5954065.001	Lower Side plate U6	1 2)
29	5902241.001	Screw DIN7984-M4x10-8.8-galZn	2
30	5946240.001	Dispense Plate DP4	1
31	5954190.001	Rewind Guide Plate RGH4	1 2)*

2) BP-PR200PLUS-P, BP-PR300PLUS-P, BP-PR600PLUS-P  
 2\*) Option for BP-PR200PLUS-P, BP-PR300PLUS-P, BP-PR600PLUS-P  
 A) Assembly



to the Overview

BP-PR200PLUS	BP-PR300PLUS	BP-PR600PLUS
<del>BP-PR200PLUS-P</del>	<del>BP-PR300PLUS-P</del>	<del>BP-PR600PLUS-P</del>

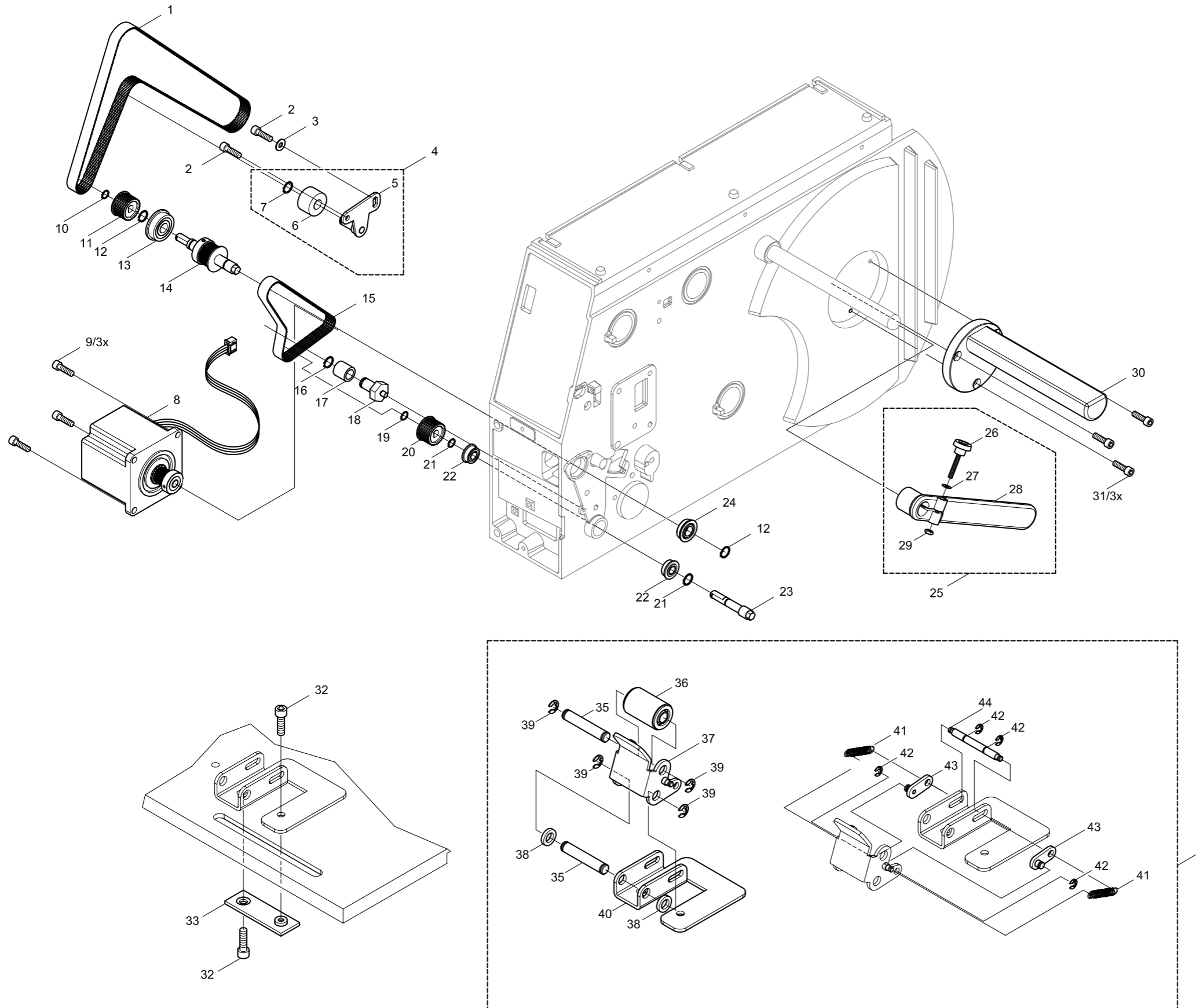


No.	Part-No.	Description	Pos.
1	5905196.001	Belt 150MXL 037	1 1)
2	5902565.001	Screw DIN7984-M4x10 Torx galZn	1
3	5903003.001	Washer DIN125-A4.3-galZn	1
4	5954160.001	Belt Tension Bracket, complete	1 A)
5	5954161.001	Belt Tension Bracket	1
6	5537583.001	Belt Roller	1
7	5903516.001	Snap Ring DIN471-8x0.8-galZn	1
8	5946206.001	Stepper Motor	1 3)
8	5946203.001	Stepper Motor	1 4)
9	5902565.001	Screw DIN7984-M4x10 Torx galZn	3
10	5903521.001	Snap Ring DIN471 A6	1
11	5946238.001	Gear 29	1
12	5903516.001	Snap Ring DIN471-8x0.8-galZn	2
13	5901090.001	Ball Bearing DIN625-F608-ZZ	1
14	5954182.001	Shaft 5, complete	1
15	5905649.001	Belt 106MXL 037	1 1)
16	5901071.001	Ball Bearing DIN625-F688-ZZ	1
17	5943091.001	Media Retainer, complete	1 A)
18	5902655.001	Thumbscrew M3x20-4.8-galZn	1
19	5903004.001	Washer DIN125-A3.2-galZn	1
20	5943021.001	Media Retainer	1
21	5900075.001	Distance Bolt M3x5A galZn	1
22	5954176.001	Media Hub	1
23	5902241.001	Screw DIN7984-M4x10-8.8-galZn	3

- 1) BP-PR200PLUS, BP-PR300PLUS, BP-PR600PLUS
- 3) BP-PR200PLUS, BP-PR-200PLUS-P, BP-PR300PLUS, BP-PR-300PLUS-P
- 4) BP-PR600PLUS, BP-PR-600PLUS-P
- A) Assembly

to the Overview

<del>BP-PR200PLUS</del>	<del>BP-PR300PLUS</del>	<del>BP-PR600PLUS</del>
BP-PR200PLUS-P	BP-PR300PLUS-P	BP-PR600PLUS-P

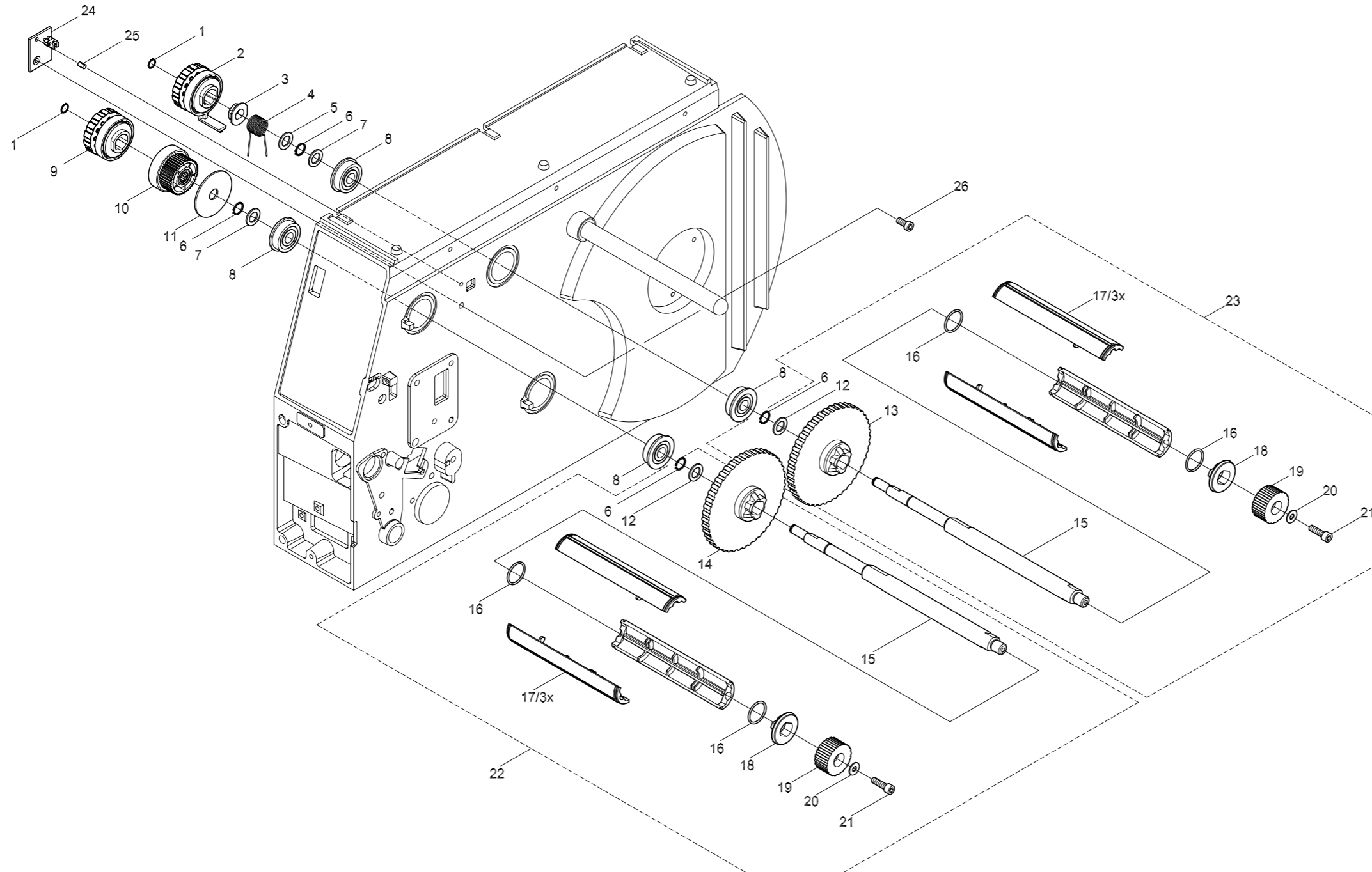


No.	Part-No.	Description	Pos.
1	5906135.001	Belt 300MXL 037	1 2)
2	5902565.001	Screw DIN7984-M4x10 Torx galZn	2
3	5903003.001	Washer DIN125-A4.3-galZn	1
4	5954160.001	Belt Tension Bracket, complete	1 A)
5	5954161.001	Belt Tension Bracket	1
6	5537583.001	Belt Roller	1
7	5903516.001	Snap Ring DIN471-8x0.8-galZn	1
8	5946206.001	Stepper Motor	1 3)
8	5946203.001	Stepper Motor	1 4)
9	5902565.001	Screw DIN7984-M4x10 Torx galZn	3
10	5903521.001	Snap Ring DIN471 A6	1
11	5946238.001	Gear 29	1
12	5903516.001	Snap Ring DIN471-8x0.8-galZn	2
13	5901090.001	Ball Bearing DIN625-F608-ZZ	1
14	5954182.001	Shaft 5, complete	1
15	5905857.001	Belt 120MXL 037	1 2)
16	5903516.001	Snap Ring DIN471 8x0.8-galZn	1 2)
17	5901034.001	Budshing d=8;B=12	1 2)
18	5954185.001	Lagerbolzen	1 2)
19	5903521.001	Sicherungsring DIN471 A6	1 2)
20	5946238.001	Gear 29	1 2)
21	5903516.001	Snap Ring DIN471-8x0.8-galZn	2 2)
22	5901076.001	Ball Bearing DIN625-F686-ZZ	2 2)
23	5954184.001	Shaft 6	1 2)
24	5901071.001	Ball Bearing DIN625-F688-ZZ	1
25	5943091.001	Media Retainer, complete	1 A)
26	5902655.001	Thumbscrew M3x20-4.8-galZn	1
27	5903004.001	Washer DIN125-A3.2-galZn	1
28	5943021.001	Media Retainer	1
29	5900075.001	Distance Bolt M3x5A galZn	1
30	5954176.001	Media Hub	1
31	5902241.001	Screw DIN7984-M4x10-8.8-galZn	3
32	5902241.001	Screw DIN7984-M4x10-8.8-galZn	2 2)
33	5946480.001	Plate	1 2)
34	5946450.001	Locking system	1 A) 2)
35	5946460.001	Axle	2 2)
36	5946462.001	Pinch Roller	1 2)
37	5946451.001	Upper Bracket	1 2)
38	5946459.001	Bushing	2 2)
39	5903525.001	E-Ring DIN6799-4-galZn	4 2)
40	5946463.001	Lower Bracket	1 2)
41	5905017.001	Spring Z-043l	2 2)
42	5903507.001	E-Ring DIN6799-3.2-galZn	4 2)
43	5946454.001	Lever	2 2)
44	5946458.001	Axle	1 2)

- 2) BP-PR200PLUS-P, BP-PR300PLUS-P, BP-PR600PLUS-P
- 3) BP-PR200PLUS, BP-PR-200PLUS-P, BP-PR300PLUS, BP-PR-300PLUS-P
- 4) BP-PR600PLUS, BP-PR-600PLUS-P
- A) Assembly

to the Overview

<b>BP-PR200PLUS</b>	<b>BP-PR300PLUS</b>	<b>BP-PR600PLUS</b>
<b>BP-PR200PLUS-P</b>	<b>BP-PR300PLUS-P</b>	<b>BP-PR600PLUS-P</b>

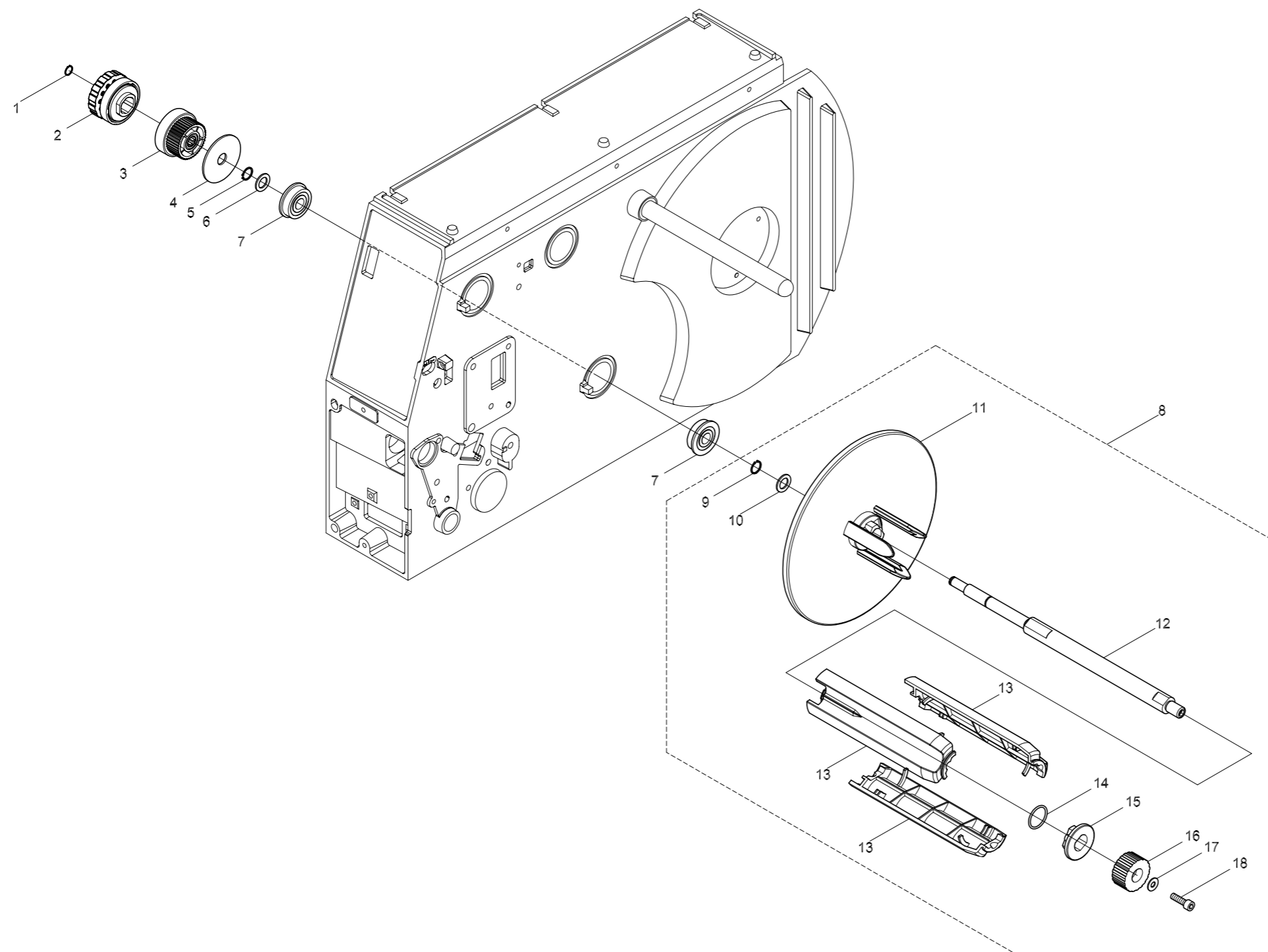


No.	Part-No.	Description	Pos.
1	5903521.001	Snap Ring DIN471-A6	2
2	5954114.001	Brake	1
3	5954125.001	Pivot Arm	1
4	5954131.001	Spring	1
5	5903035.001	Washer DIN988-8x14x1.0	1
6	5903516.001	Snap Ring DIN471-8x0.8-galZn	4
7	5903038.001	Washer DIN988-8x14x0.2	2
8	5901090.001	Ball Bearing DIN625-F608-ZZ	4
9	5954113.001	Slipping Clutch	1
10	5954115.001	Gear 42-TR	1
11	5903128.001	Washer 35x8.4x1.25-galZn	1
12	5903020.001	Washer DIN988-8x14x0.5	2
13	5954120.001	Wall Spacer	1
14	5954112.001	Wall Spacer	1
15	5954128.001	Axle	2
16	5906129.001	O-Ring 16x1,25	4
17	5954122.001	Shell	6
18	5954121.001	Cone	2
19	5943022.001	Knurled Knob	2
20	5903003.001	Washer DIN125-A4.3-galZn	2
21	5902565.001	Screw DIN7984-M4x10 Torx galZn	2
22	5954110.001	Ribbon Takeup Hub	1 A)
23	5954111.001	Ribbon Supply Hub	1 A)
24	5954024.001	Ribbon Sensor Board	1
25	5904052.001	Close Tolerance Grooved pin	1
26	5902358.001	Screw DIN7984-M4x6-8.8-galZn	1

A) Assembly

to the Overview

<del>BP-PR200PLUS</del>	<del>BP-PR300PLUS</del>	<del>BP-PR600PLUS</del>
BP-PR200PLUS-P	BP-PR300PLUS-P	BP-PR600PLUS-P



No.	Part-No.	Description	Pos.
1	5903521.001	Snap Ring DIN471-A6	1
2	5954146.001	Slipping Clutch	1
3	5954115.001	Gear 42-TR	1
4	5903128.001	Washer 35x8.4x1.25-galZn	1
5	5903516.001	Snap Ring DIN471-8x0.8-galZn	1
6	5903038.001	Washer DIN988-8x14x0.2	1
7	5901090.001	Bearing DIN625-F608-ZZ	2
8	5954140.001	Axle. Complete	1 A)
9	5903516.001	Snap Ring DIN471-8x0.8-galZn	1
10	5903020.001	Washer DIN988-8x14x0.5	1
11	5954145.001	Rewinder Wall Plate	1
12	5954144.001	Shaft, Takeup Assy.	1
13	5954141.001	Shell	1
14	5906129.001	O-Ring 16x1,25	1
15	5954143.001	Cone	1
16	5943022.001	Knurled Knob	1
17	5903003.001	Washer DIN125-A4.3-galZn	1
18	5902241.001	Screw DIN7984-M4x10-8.8-galZn	1

A) Assembly

## Spare Parts Register

Part.-No.	Description	Figure in Spare Parts List Page BP-PR
5537583.001	Belt Roller	6.0, 6a.0
5540674.001	Navigator Pad	2.0
5540691.001	Front Cover	2.0
5540868.001	LCD-Display	2.0
5551113.001	PCB CPU	2.0
5900075.001	Distance Bolt M3x5A galZn	6.0, 6a.0
5901026.001	Plastic Bushing d=12; B=3.6	5a.0
5901034.001	Bushing d=8; B=12	6a.0
5901036.001	Plastic Bushing d=6; B=3.2	5a.0
5901060.001	Plastic Bushing d=6; B=6,6	4.0
5901071.001	Ball Bearing DIN625-F688-ZZ	6.0, 6a.0
5901076.001	Ball Bearing DIN625-F686-ZZ	6a.0
5901082.001	Ball Bearing DIN625-685-ZZ	5.0, 5a.0
5901090.001	Ball Bearing DIN625-F608-ZZ	6.0, 6a.0, 7.0, 8.0
5901118.001	Collar Bush	4.0
5901509.001	Cable Clamp 6x11x5	2.0
5901574.001	Cable Clamp for Ø 9,6 adhesive	2.0
5902011.001	Screw DIN912-M3x20-galZn	4.0
5902145.001	Screw DIN923-M3x6-5.8	4.0
5902241.001	Screw DIN7984-M4x10-8.8-galZn	2.0, 4.0, 5.0, 5a.0, 6.0, 6a.0, 7.0, 8.0
5902358.001	Screw DIN7984-M4x6-8.8-galZn	2.0, 3.0, 4.0, 5a.0
5902414.001	Screw K30x12 WN1451 galZn	2.0
5902457.001	Screw DIN7985-M2x10-8.8-galZn	4.0
5902565.001	Screw DIN7984-M4x10-Torx-galZn	2.0, 4.0, 5a.0, 6.0, 6a.0
5902571.001	Screw DIN7984-M4x6 Torx galZn	2.0, 3.0, 5a.0
5902572.001	Screw DIN7984-M4x16 Torx galZn	4.0, 5.0, 5a.0
5902573.001	Screw DIN7991-M4x8 Torx galZn	4.0
5902655.001	Thumbscrew M3x20-4.8-galZn	6.0, 6a.0
5903003.001	Washer DIN125-A4.3-galZn	3.0, 4.0, 6.0, 6a.0, 7.0, 8.0
5903004.001	Washer DIN125-A3.2-galZn	6.0, 6a.0
5903005.001	Washer DIN9021-4.3-galZn	5a.0
5903011.001	Toothed Washer DIN6797-A4.3-galZn	2.0, 3.0
5903020.001	Washer DIN988-8x14x0.5	7.0, 8.0
5903035.001	Washer DIN988-8x14x1.0	7.0
5903038.001	Washer DIN988-8x14x0.2	7.0, 8.0
5903128.001	Washer 35x8.4x1.25-galZn	7.0, 8.0
5903507.001	E-Ring DIN6799-3.2-galZn	6a.0, 5a.0
5903516.001	Snap Ring DIN471-8x0.8-galZn	6.0, 6a.0, 7.0, 8.0
5903521.001	Snap Ring DIN471-A6	6.0, 6a.0, 7.0, 8.0
5903525.001	E-Ring DIN6799-4-galZn	6a.0
5904028.001	Pin DIN6325 4m6x10	4.0, 5.0, 5a.0
5904052.001	Close Tolerance Grooved pin	7.0
5905017.001	Spring Z-043I	6a.0
5905196.001	Belt 150MXL 037	6.0
5905649.001	Belt 106MXL 037	6.0
5905652.001	Foot 20.6x20.6x7.6 ws	2.0
5905699.001	Stopper SL25x1-2.5 black	5.0
5905857.001	Belt 120MXL 037	6a.0
5905866.001	Stopper SRL16x0.8-2 black	5.0
5905885001	Stopper M4x10 D=10 h=10 TypE	5a.0
5906112.001	Spring Z-051 HX	5a.0
5906129.001	O-Ring 16x1,25	7.0, 8.0

## Spare Parts Register

Part.-No.	Description	Figure in Spare Parts List Page BP-PR
5906135.001	Belt 300MXL 037	6a.0
5906136.001	Spring D-117B	4.0
5943004.001	Front Cover	2.0
5943021.001	Media Retainer	6.0, 6a.0
5943022.001	Knurled Knob	7.0, 8.0
5943025.001	Media Guide Ring	5.0, 5a.0
5943082.001	Baseplate	2.0
5943083.001	Baseplate, complete	2.0
5943091.001	Media Retainer, complete	6.0, 6a.0
5943107.001	Cable A3	3.0
5943125.001	Axle	5.0
5946113.001	Allen Key	5.0, 5a.0
5946123.001	Cover Plate, complete	2.0
5946124.001	Top Cover, complete	2.0
5946203.001	Stepper Motor	6.0, 6a.0
5946206.001	Stepper Motor	6.0, 6a.0
5946238.001	Gear 29	6.0, 6a.0
5946240.001	Dispense Plate DP4	5a.0
5946244.001	Tear-off Plate TP4	5.0
5946450.001	Locking System	6a.0
5946451.001	Upper Bracket	6a.0
5946454.001	Lever	6a.0
5946458.001	Axle	6a.0
5946459.001	Bushing	6a.0
5946460.001	Axle	6a.0
5946462.001	Pinch Roller	6a.0
5946463.001	Lower Bracket	6a.0
5946465.001	Baseplate	2.0
5946466.001	Baseplate, complete	2.0
5946480.001	Plate	6a.0
5946550.001	Power Supply	3.0
5946570.001	Bearing Plate 1	5a.0
5946571.001	Bearing Plate 2	5a.0
5946572.001	Spring Bolt	5a.0
5946573.001	Axle	5a.0
5946574.001	Axle	5a.0
5946580.001	Swing	5a.0
5946745.001	Distance Plate	5.0
5954001.001	Chassis	7.0
5954002.001	Chassis, complete	2.0
5954003.001	Chassis, complete	2.0
5954020.001	Control Panel Cover	2.0
5954024.001	Ribbon Sensor Board	7.0
5954025.001	Control Panel Cover	2.0
5954026.001	Holder	2.0
5954027.001	Control Panel Cable	2.0
5954044.001	Roller	4.0
5954047.001	Upper Profile	4.0
5954049.001	Upper Side Plate	4.0
5954050.001	Lower Side Plate U3	5.0
5954051.001	Lower Profile	5.0, 5a.0
5954054.001	Printhead Mounting Bracket	4.0

## Spare Parts Register

Part.-No.	Description	Figure in Spare Parts List Page BP-PR
5954057.001	Spring	4.0
5954059.001	Lever	4.0
5954060.001	Plate, Pivot Arm Transfer	4.0
5954061.001	Roller Ribbon	4.0
5954063.001	L-Bracket, complete	4.0
5954064.001	L-Bracket	4.0
5954065.001	Lower Side Plate U6, complete	5a.0
5954066.001	Printhead Cable 1	4.0
5954067.001	Printhead Cable 2	4.0
5954070.001	Printhead Locking System	4.0
5954072.001	Printhead 300dpi 4/300	4.0
5954077.001	Printhead 600dpi 4/600	4.0
5954081.001	Printhead 203dpi 4/200	4.0
5954090.001	Label Sensor Assy.	5.0, 5a.0
5954095.001	Cable Accessory	2.0
5954097.001	Front Panel Cable	2.0
5954098.001	Sensor Cable	4.0, 5.0, 5a.0
5954110.001	Ribbon Takeup Hub	7.0
5954111.001	Ribbon Supply Hub	7.0
5954112.001	Wall Spacer	7.0
5954113.001	Slipping Clutch	7.0
5954114.001	Brake	7.0
5954115.001	Gear 42-TR	7.0, 8.0
5954120.001	Wall Spacer	7.0
5954121.001	Cone	7.0
5954122.001	Shell	7.0
5954125.001	Pivot Arm	7.0
5954128.001	Axle	7.0
5954131.001	Spring	7.0
5954132.001	Strip 7x2	3.0
5954140.001	Axle, complete	8.0
5954141.001	Shell	8.0
5954143.001	Cone	8.0
5954144.001	Shaft, Takeup Assy.	8.0
5954145.001	Rewinder Wall Plate	8.0
5954146.001	Slipping Clutch	8.0
5954160.001	Belt Tension Bracket	6.0, 6a.0
5954161.001	Belt Tension Bracket, complete	6.0, 6a.0
5954176.001	Media Hub	6.0, 6a.0
5954179.001	Cover Plate	3.0
5954180.001	Drive Roller DR4	5.0, 5a.0
5954182.001	Shaft 5, complete	5.0, 5a.0, 6.0, 6a.0
5954183.001	Roller RR4	5a.0
5954184.001	Shaft 6	5a.0, 6a.0
5954185.001	Bolt	6a.0
5954186.001	Lower Side Plate U3, complete	5.0
5954187.001	Lower Side Plate U6, complete	5a.0
5954190.001	Rewind Guide Plate RG4	5a.0
5954750.001	Metal Cover THT-BP 4	2.0
5955034.001	PCB M3 Control Panel	2.0
5955046.001	Power Input Module	3.0